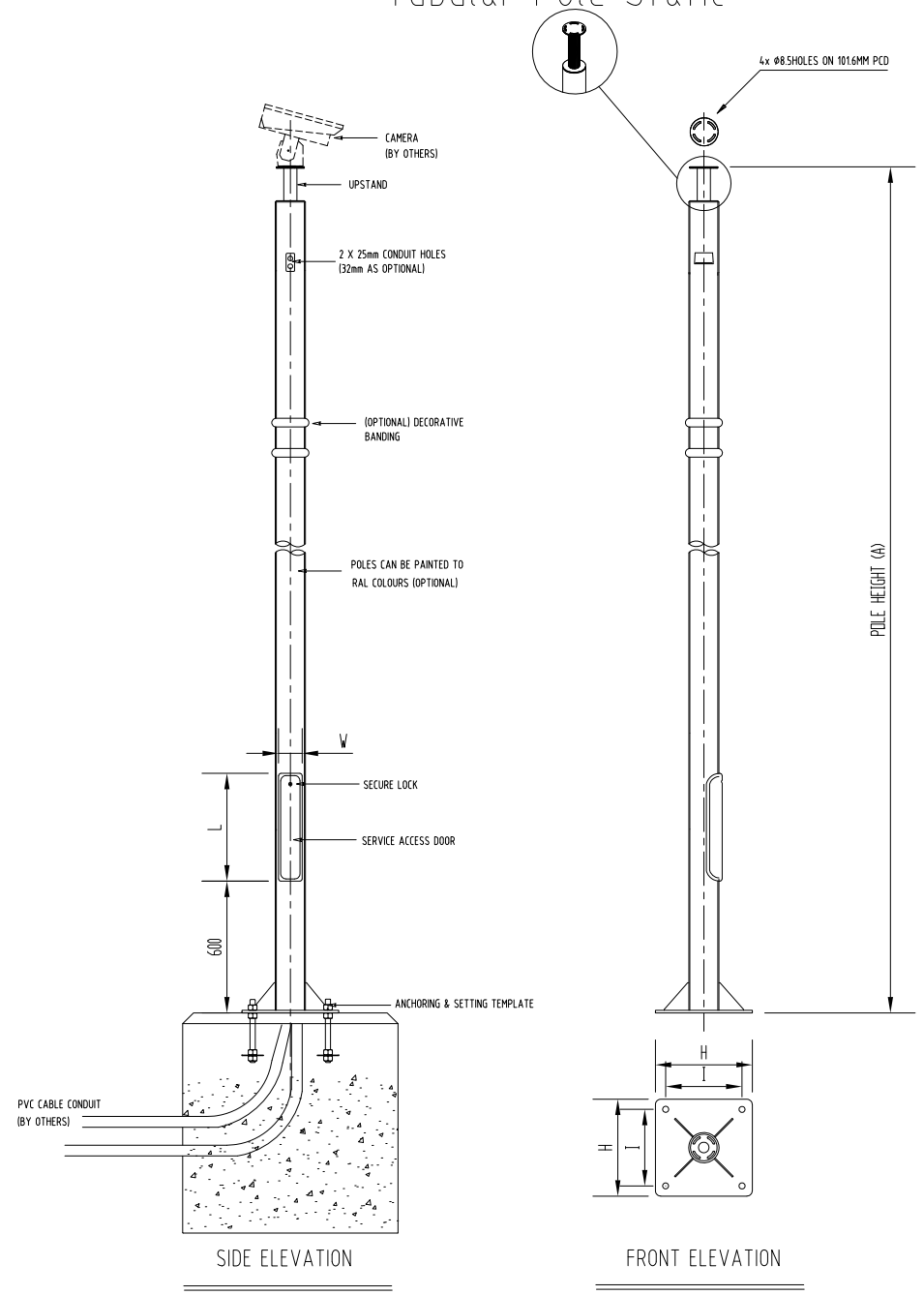


Tubular Pole Static

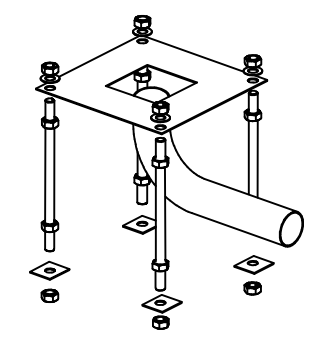


SPECIFICATION:

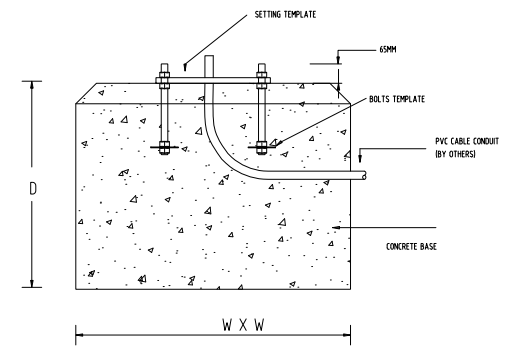
MODEL	Height A	Payload capacity	Max. wind load(sqm)	Tube ϕ B	Door size L x W	Base plate H	Anchor bolt centers I	size	Foundation WxD
PST03 PST03HD	3	Please consult us for detailed specifications. www.skyntwks.com sales@skyntwks.com							
PST04 PST04HD	4								
PST05 PST05HD	5								
PST06 PST06HD	6								
PST07 PST07HD	7								
PST08 PST08HD	8								
PST09 PST09HD	9								
PST10 PST10HD	10								
PST12	12								

DESIGN NOTES

- Wind loading & Structural design in accordance with ILETR7, BS6399 AND BS8100.
- Structure designed for a 28.8m/s mean hourly wind speed.
- Appurtenance deflections are based upon a 20m/s mean hourly wind speed.
- Designed appurtenance loading: (1) Camera & bracket, at pole top; (2) Junction box, at lower section; (3) Washer tank and pump, at lower section;
- Product basic: (1) Material: Main Structure Chinese High Strength Steel Gr.Q345B(GB1591-2008), Auxiliary Carbon Steel Gr.Q235B (GB700-2006) Hardware GB3098-2000; (2) Welding: AWS1.1 / GB50205-2001; GB50017-2003;BSEN 1011:1998 (3) Galvanization: ISO1461; ASTM A123;GB13912-2002
- All dimensions are in millimeter unless otherwise indicated.
- All fabrication shall be processed in ISO9001 certified workshop, and supervised by our engineer.



3D DIAGRAM



FOUNDATION

FOUNDATION

SKY NETWORKS ENGINEERING CO., LTD.
GLOBAL TELECOM INFRASTRUCTURE SOLUTION PROVIDER

APPROVED		CLIENT	
VERIFIED		DWG TITLE	GENERAL LAYOUT - Tubular Pole Static
CHECKED		SCALE	NTS SHEET 1 OF 1
DESIGNED	WWW.SKYNTWKS.COM	DATE-MONTH-YEAR	DWG NO.

COPYRIGHT IN THIS DRAWING VESTS IN SKY NETWORKS ENGINEERING CO., LTD. NO USE OR DISCLOSURE EXCEPT AS EXPRESSLY PERMITTED FOR THE TITLE PROJECT.